

D

SMITH® JAY R. SMITH MFG. CO.®
 MEMBER OF MORRIS GROUP INTERNATIONAL
 POST OFFICE BOX 3237
 MONTGOMERY, ALABAMA 36109-0237 (USA)
 TEL: 334-277-8520 FAX: 334-272-7396 www.jrsmith.com



LOCATION

DRAWING NUMBER
S1001

SIZE
A

SCALE:
NONE

DATE:
2-24-94

APPROVED BY:
CS

CHECKED BY:
JCS

DRAWN BY:
TWK

1001

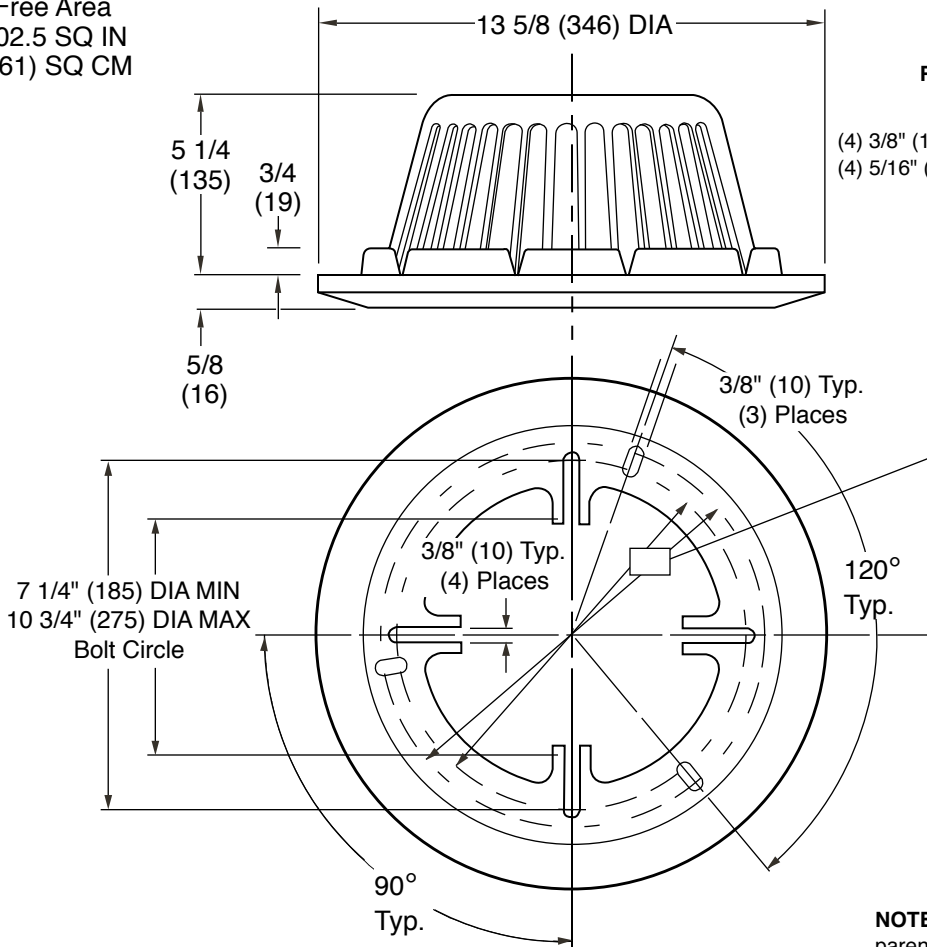
WE CAN ASSUME NO RESPONSIBILITY FOR USE OF SUPERSEDED OR VOID DATA

DIMENSIONS ARE SUBJECT TO MANUFACTURERS TOLERANCE AND CHANGE WITHOUT NOTICE

UNIVERSAL ROOF DRAIN MEMBRANE CLAMPING COLLAR AND DOME

FUNCTION: Universal cast iron membrane clamping collar and dome are designed for retrofit roof applications where the existing main roof drain body is to remain in place and continue to be operative. The bolting lugs of this collar match the bolt pattern of the majority of the common roof drain bodies and generally conform to the surface angles of the flange. This allows easy replacement along with adequate pressure on the membrane to insure water tightness. The collar is designed to accompany most 15" (380) and 16" (405) diameter roof drain bodies with bolt circles ranging 7 1/4" (185) to 10 3/4" (275) in diameter. It is recommended to extend roof membrane into the sump of existing roof drain body.

Free Area
 102.5 SQ IN
 (661) SQ CM



REGULARLY FURNISHED MOUNTING HARDWARE

- (4) 3/8" (10) - 16 x 1 3/4" (44) Hex Head Bolts
- (4) 5/16" (8) - 18 x 1 1/4" (32) Hex Head Bolts

10 3/4 (275) DIA MIN
 11 1/4 (285) DIA MAX
 Bolt Circle

NOTE: Dimensions shown in parentheses are in millimeters.

BOTTOM VIEW

REGULARLY FURNISHED:

Polyethylene "Twist Lock" Dome and Duco Coated Universal Cast Iron Membrane Clamping Collar with Mounting Hardware.

VARIATIONS:

- Less Dome -LD (Specify Fig. 1002)
- Perf. S.S. Gravel Guard (Specify Height)
- Solid Water Dam Collar -WD (Specify Height)
- Vandal Proof -U

OPTIONAL MATERIALS:

- Aluminum Dome -AD
- Cast Iron Dome -CID
- 8" (205) High Cast Iron Dome -CID8
- Galvanized Collar -CG
- Galvanized Cast Iron Dome -CIDG
- Rough Bronze Dome -RBD
- S.S. Mesh Covered Dome -SSM (Specify Dome)

REV.	DATE	DESCRIPTION	BY	CKD. BY	WEIGHT POUNDS	VOLUME CUBIC FEET	FIGURE NUMBER
D	5-26-99	Revised Opt. Materials	CMD	BS			1001
C	6-12-95	Added Millimeters	EMB	BS			
B	7-19-94	Submittal Update	EMB	BS			
A	5-4-94	Rev Opt Mat	EMB	JCS			